

# LYON

DISPLAY CASES



 **Infrico**



# Lyon

## DISPLAY CASES

“FOR THE GEMS IN THE PATISSERIE”





## FEATURES

- Unrivalled exhibition flexibility

Our patisserie display cases give you the freedom of exhibiting different products in the same linear assembly, whether you need to display hot, cool or room temperature products.

- Tailor-made colour customization

We know your business image is crucial. That's why we offer a wide variety of decoration with customizable colours, which allows you to adapt the aesthetics of our product to perfectly fit your brand.

- Display in extreme conditions

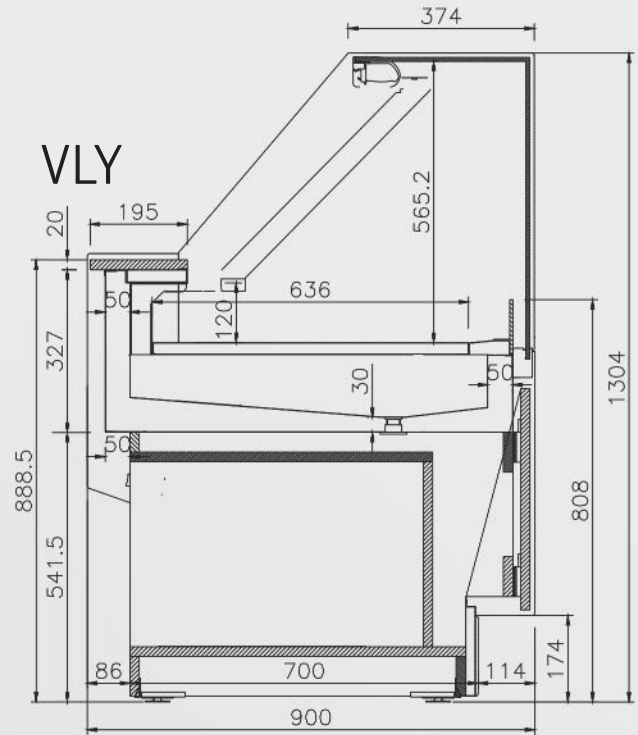
Our display cases have been subjected to rigorous testing in tough environmental conditions, which guarantees an optimal performance in any environment.

- Variety in specialized furniture

With glass shelves of different heights, may they be high or low, and specifically designed for hot and room temperature products, even for chocolates, the Lyon series offer different options to display your products in a fancy and elegant way.

## PASTRY DISPLAY CASE

MODELE	VLY9	VLY 12	VLY 15	VLY 18	VLY 25
PRICE					
MODELE	VLY 9I	VLY 12I	VLY 15I	VLY 18I	VLY 25I
PRICE					
MEASURES WITHOUT SIDES	938 x 900 x 1305 mm.	1250 x 900 x 1305 mm.	1562 x 905 x 1305 mm.	1875 x 905 x 1305 mm.	2500 x 905 x 1305 mm.
TEMPERATURE	4°C/+8°C				
CLIMATIC CLASS	3 / 25°C				
ELECTRICAL DATA	230V/1ph/50Hz				
CONTROLLER	Digital				
MATERIAL	Ext: Plastified stainless steel · Worktop : Inox Aisi 304 · Exhibition plan: Plastif. Stainless steel				
ISOLATION	40kg/m <sup>3</sup> / Free CFC's / Zero ODP-GWP				
CAPACITY	72	96	120	144	192
SURFACE EXHIBITION	0,60	0,80	1,00	1,20	1,60
COMPRESSOR	1/4		1/3		1/2
TRAYS	---				
SIDES [2]	30+30				
COOLING SYSTEM	Ventilated				
DEFROST	Manual				
EVAPORATION	Semistatic				
POWER	245	262	448	454	588
COOLING CAPACITY	---				
CONSUMPTION	4.2	5.5	7.6	9,8	10.3
REFRIGERANT	<b>R290</b>				
OPTIONAL	REAR SLIDING DOORS				
	[PUEVLY9CT]	[PUEVLY12CT]	[PUEVLY15CT]	[PUEVLY18CT]	[PUEVLY25CT]
	SHELVING				
	[ESTVCB9]	[ESTVCB12]	[ESTVCB15]	[ESTVCB18]	[ESTVCB25]



# VLY15

FOR PASTRY

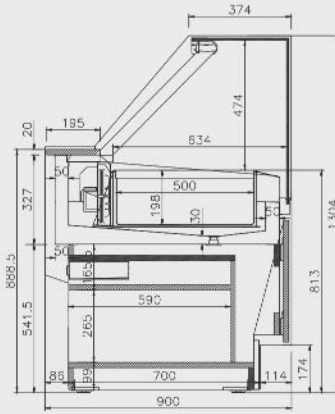
Optional shelf



# PASTRY DISPLAY CASE

## BAIN MARIE · CHOCOLAT · NEUTRAL

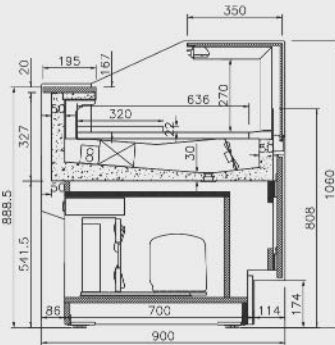
	NEUTRAL		CHOCOLAT	BAIN MARIE	
MODEL	VLY 9 V	VLY 12 V	VLY 12 B VLY 12 IB	VLY 12 BMS	VLY 15 BMS
PRICE					
MEASURES WITHOUT SIDES	938 x 900 x 1550 mm.	1250 x 900 x 1550 mm.	1250 x 900 x 1060 mm.	1250 x 900 x 1305 mm.	1562 x 900 x 1305 mm.
TEMPERATURE	--		+7°C/+12°C	+60°C/+70°C	
CLIMATIC CLASS	3 / 25°C				
ELECTRICAL DATA	230V/1ph/50Hz				
CONTROLLER	Digital				
MATERIAL	Ext: Plastified stainless steel · Worktop : Inox Aisi 304 · Exhibition plan: Plastif. Stainless steel				
ISOLATION	40kg/m 3/ Free CFC's / Zero ODP-GWP				
CAPACITY	184	245	96	78	163
SURFACE EXHIBITION	1,13	1,50	0,80	0,69	0,86
COMPRESSOR	--	--	1/5	--	--
TRAYS	---			3	4
SIDES (2)	30+30				
COOLING SYSTEM	Ventilated				
DEFROST	Manual				
EVAPORATION	Semistatic				
POWER	45	70	795	2050	3050
COOLING CAPACITY	--	--	254	--	--
CONSUMPTION	0,6	1	6,1	12,3	18,3
REFRIGERANT	<b>R290</b>				
OPTIONAL			REAR SLIDING DOORS [PUEVLY12CTB]		



VLY BMS

# VLY12BMS

BAIN MARIE FOR FOOD SERVICE



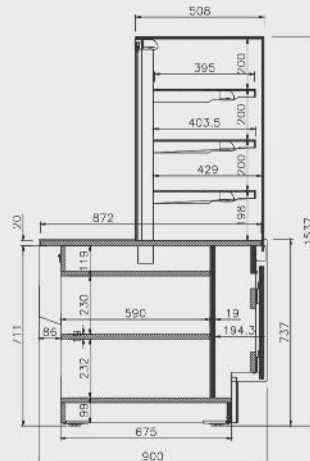
VLY B

# VLY12B

CHOCOLATE SALE



STANDARD:  
· Rear sliding doors  
· 3 shelves



VLY V

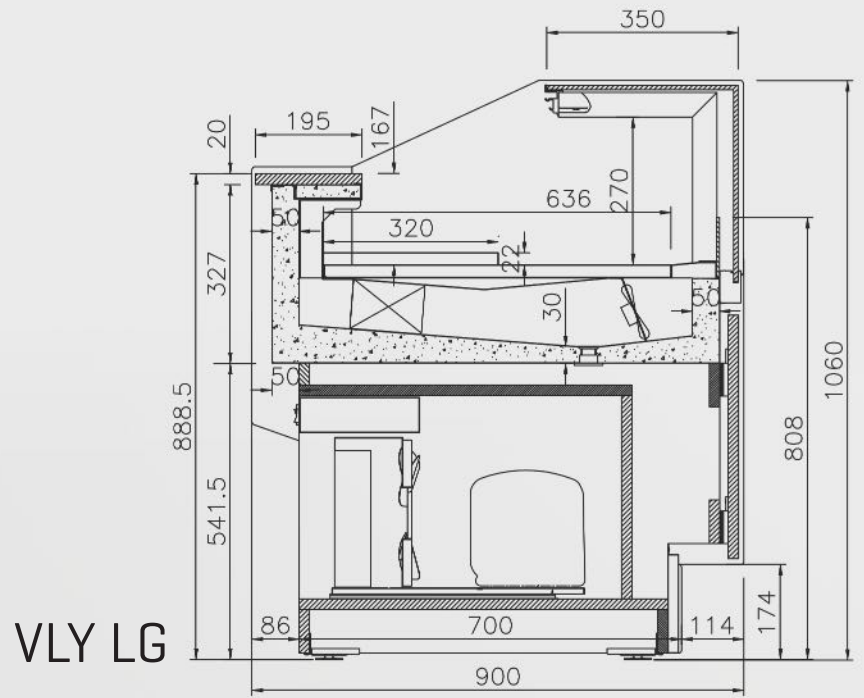
# VLY9V

NEUTRAL

# PASTRY DISPLAY CASE

## LOW GLASS

MODELO	VLY 9 LG	VLY 12 LG	VLY 15 LG	VLY 18 LG	VLY 25 LG
PRECIO					
MODELO	VLY 9 ILG	VLY 12 ILG	VLY 15 ILG	VLY 18 ILG	VLY 25 ILG
PRECIO					
MEASURES WITHOUT SIDES	938 x 900 x 1060 mm.	1250 x 900 x 1060 mm.	1562 x 900 x 1060 mm.	1875 x 900 x 1060 mm.	2500 x 900 x 1060 mm.
TEMPERATURE	+4°C/+8°C				
CLIMATIC CLASS	3 / 25°C				
ELECTRICAL DATA	230V/1ph/50Hz				
CONTROLLER	Digital				
MATERIAL	Ext: Plastified stainless steel · Worktop : Inox Aisi 304 · Exhibition plan: Plastif. Stainless steel				
ISOLATION	40kg/m <sup>3</sup> / Free CFC's / Zero ODP-GWP				
CAPACITY	72	96	120	144	192
SURFACE EXHIBITION	---				
COMPRESSOR	1/4		1/3		1/2
TRAYS	---				
SIDES [2]	30+30				
COOLING SYSTEM	Ventilated				
DEFROST	Manual				
EVAPORATION	Semistatic				
POWER	245	262	448	454	588
COOLING CAPACITY	---				
CONSUMPTION	4.2	5.5	7.6	9,8	10.3
REFRIGERANT	<b>R290</b>				
OPTIONALS	REAR SLIDING DOORS (PUEVLY9CTB)	REAR SLIDING DOORS (PUEVLY12CT)	REAR SLIDING DOORS (PUEVLY15CTB)	REAR SLIDING DOORS (PUEVLY18CTB)	REAR SLIDING DOORS (PUEVLY25CTB)



# VLY 12 LG

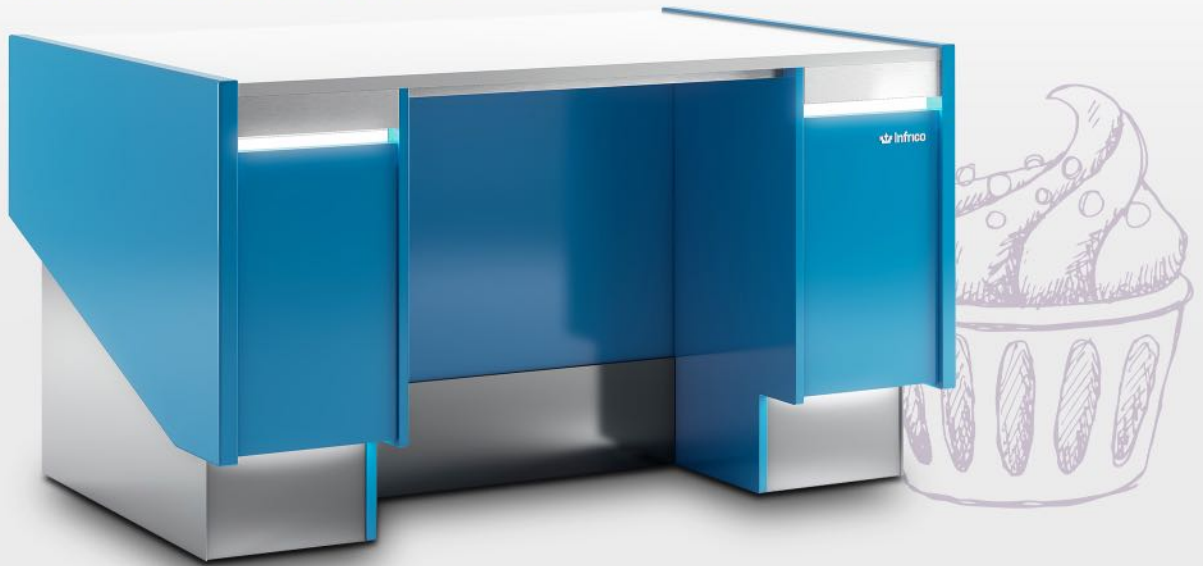
FOR PASTRY



## COUNTER CASE

MODEL	VLY 9 M	VLY 12 M	VLY 12 MHD	VLY 45 AAM	VLY 90 AAM	VLY 45 ACM	VLY 90 ACM
PRIX							
MEASURES WITHOUT SIDES	938 x 900 x 745 mm	1250 x 900 x 745 mm	1250 x 900 x 745 mm	1035 x 900 x 745 mm	1855 x 900 x 745 mm	1295 x 900 x 745 mm	2325 x 900 x 745 mm

### VLY12MHD



### VLY9M



# STANDARD EXTERIOR COLOURS

Ral 9016



Ral 1001



Ral 1018



Ral 2023



Ral 3003



Ral 3020



Ral 4007



Design 3504035



Ral 5015



Design 1107060



Ral 6002



Design 2108025



Ral 8017



Ral 9006



Ral 7016



Ral 9017



# LYON DISPLAY CASES

## FOR THE GEMS IN THE PATISSERIE

The Lyon patisserie display cases stand out for its exhibition flexibility, which allows you to display different products in just one space.

With an elegant and fancy design, you can customize its decoration. These display cases allow you to exhibit a wide range of products, including hot, cool and room temperature products.

And what's more, they have a range of furniture that includes high, low, and neutral glass options, just like specific designs for delicate chocolate products.



GRUPO   
**Infrico**®

Ctra. de Aguilar a A-318 por Moriles, km 15,5 - A-3132

CP 14900 LUCENA, Córdoba - España

Tel: 0034 957 51 30 68

[info@infrico.com](mailto:info@infrico.com)



[www.infrico.com](http://www.infrico.com)